



REGULATORY COMPLIANCE MANAGEMENT

RC No: 1396654
TIN: 20274933-0001



Certificate No. ABJ/0067260



Federal Republic of Nigeria Industrial Training Fund



CERTIFICATE OF COMPLIANCE

This is to certify that ALLSTATES MGT PARTNERS SOLUTIONS LTD

Address PLOT 556, MABUSHI VIO ROAD, ABUJA

Has complied with year 2024 Industrial Training Fund Contribution
in accordance with the Laws of the Federal Republic of Nigeria cap. 19 Laws
of the Federation Section 6 subsections (1), (11), (111) of 2011 as amended

REGISTRATION NO. ABJ-006-1952

RECEIPT NO. 000602308

THIS CERTIFICATE EXPIRES 31ST DECEMBER 2025

CHILA SAMSON SARAH

Name and Signature
Head Revenue Inspectorate
& Compliance



Area Office Stamp



OCHOICHE KASHAM PHOEBE

Name and Signature
Area Manager





PCC001073387
Original

National Pension Commission

Pension Clearance Certificate

Employer Code: PR0000123353

This is to certify that

ALLSTATES MGT PARTNERS SOLUTIONS LTD RC No. 1396654

has complied with the provisions of the Pension Reform Act 2014

The details of the compliance are as follows

Description	Year 2022	Year 2023	Year 2024
Number of Employees	3	3	3
Pension Contributions Remitted to Employees RSAs (₦)	₦116,640.00	₦116,640.00	₦116,640.00
Sum Assured for Group Life Insurance			₦1,944,000.00

This certificate expires 31, Dec 2025



Date issued: 4 SEPTEMBER 2025

Approved signatory



It pays to pay your taxes..

**TAX CLEARANCE
CERTIFICATE**

TCC NO : 225392895049

TAX OFFICE : MSTO MAITAMA

DATE : 2025-08-23

Name of Company : ALLSTATES MGT PARTNERS SOLUTIONS LTD
RC No : 1396654
Date of Incorporation : 2017-03-09
TIN : 20274933-0001
FIRS ID : 2001110025049
Business Address : NO. 131B AHMADU BELLO WAY VICT



Business Status : Yet To Commence Business

This is to certify that the above named company has rendered Income Tax, Value Added Tax, Information Technology Development Levy, Education Tax, as well as other tax returns and paid the assessed taxes in accordance with the relevant tax laws for all years including the past three assessment years as detailed hereunder.

	Assessment Year 2022	Assessment Year 2023	Assessment Year 2024
Revenue	NGN 0.00	NGN 0.00	NGN 29,000,000.00
Assessible Profit/Loss	NGN 0.00	NGN 0.00	(3,000,000.00)
Total Profit	NGN 0.00	NGN 0.00	(3,000,000.00)
Tax Payable	NGN 0.00	NGN 0.00	NGN 0.00
Tax Outstanding (if Any)	NGN 0.00	NGN 0.00	NGN 0.00

Source of Income : Wholesale on a fee or contract basis
Other Comments : approved
This Certificate Expires on : 2025-12-31



Official Stamp Impression

**NKUMEH NKUMEH
Tax Controller**

Name & Rank of Approving Officer

Disclaimer: The issuance of this Tax Clearance Certificate is based on self-assessment and compliance declarations by the Taxpayer. It does not preclude the service from conducting future audits or investigations that may result in additional tax assessments where under-declarations, omissions, or misstatements are identified.

NCDMB REGISTRATION AS A CONTRACTOR

Inbox x

Unith I wish to apply for a login portal to enable me register ,my company
el with NCD...
Opol
o



Nwankwo Blessing <bnwankwo@nogicjqs.com>

to me, support

Dear Sir/ Madam,

Your company's account has been successfully created on the NOGIC JQS portal
with allstatemtpartners@gmail.com as your username.
Password is: admin

Kindly logon to nogicjqs.gov.ng and update all required information as it relates to your company.

You may contact the NOGIC JQS help desk on support@nogicjqs.com or call our help line on 016310962, for
further information on this subject.

Regards,

Kenneth, Blessing C.
Nigerian Oil & Gas Industry Content Joint Qualification System (NOGIC JQS) division
Nigerian Content Development & Monitoring Board (NCDMB)
Revenue House, Lambert Erafiri Road Onopa
Yenagoa
Bayelsa State
Nigeria
Email: bnwankwo@nogicjqs.com
Mobile: 08-035718808
Call Center Lines: 016310962

This e-mail and any file attachments transmitted with it are intended solely for the addressee(s) and
may be legally privileged and/or confidential. If you have received this e-mail in error please destroy
it. If you are not the addressee you may not disclose, copy, distribute or take any action based on the
contents hereof. Any unauthorized use or disclosure is prohibited and may be unlawful.

Click here to [Reply](#), [Reply to all](#), or [Forward](#)

0 GB (0%) of 15 GB used
[Manage](#)

[Terms](#) - [Privacy](#)

Last account activity: 0 minutes ago
Open in 1 other location [Details](#)

Access 6185377A

1808000618

11110594-7714

NIGERIA SOCIAL INSURANCE TRUST FUND

EMPLOYEES' COMPENSATION SCHEME OFFICIAL RECEIPT



NSITF/ECS No. A00000250163

STATION: APAPA

DATE: 27/11/2018

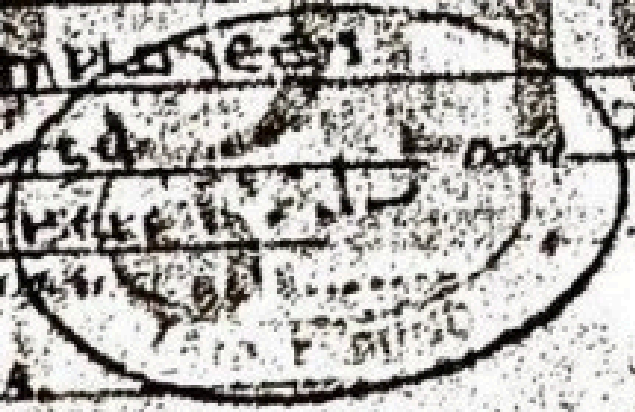
ACCOUNT CODE: 2516

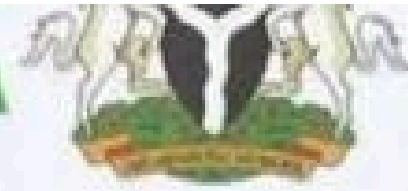
Received from ALDORVA TECHNOLOGY SOLUTIONS LTD
the sum of TWENTY ONE THOUSAND SIX HUNDRED NAIRA
ONLY

being payment for ECS CONTRIBUTION JAN DEC 2018
FOR 4 EMPLOYEES

TELLER/CHECK NO. 29112018 * 21,600.00
EZEKOLA EMMANUEL Kingdom Oshun

Name of Business ECS
ECN 621A Signature
Signature





FEDERAL GOVERNMENT OF NIGERIA

VALUE ADDED TAX ACT CAP VI REVISED EDITION (LAWS OF THE FEDERATION OF NIGERIA) 2004

REGISTRATION CERTIFICATE

This is to certify that

ALLSTATES MGT PARTNERS SOLUTIONS LTD

is registered with the Federal Inland Revenue Service
pursuant to the above mentioned Tax Law

RC NO: RC1396654

TIN NO: 20274933-0001

Date of Issue: 10TH APRIL 2017




Executive Chairman
Federal Inland Revenue Service





(AMPSL) **ALL STATES MANAGEMENT PARTNERS SOLUTION LTD**

No. 131B Ahmadu Bello Way, Victoria Island, Lagos

16th -JANURAY 2018

THE GENERAL MANAGER

NIGERIA PETROLEUM EXCHANGE (NipeX.)

30, LADY OYINKAN ABAYOMI (FORMER QUEENS DRIVE)

IKOYI, LAGOS.

Dear Sir.

ITF/PENCOM WAIVER LETTER

We humbly apply for pencom waiver to enable us complete our NipeX registration exercise with your reputable organization.

Our company staff strength is 4 (Four)

We will be glad if our request is given a favorable consideration.

Thank you in Anticipation.

Yours Faithfully

OGBEBOR EVA EWEMADE



Head Office Branch-IBTC Place

16 January 2018

The General Manager,
NAIPEX,
30, Oyinkan Abayomi Drive,
Ikoyi, Lagos State.

Dear Sir,

REFERENCE LETTER - ALLSTATES MGT PARTNERS SOLUTION- 0022156995

At the instance of our above referenced customer, we furnish hereunder the required information in respect of the subject.

Allstates Mgt Partners Solution commenced banking relationship with us on 23rd June 2017. And so far the Company's current account with our Head Office Branch - IBTC Place has been satisfactorily operated with details as below;

Account Name: ALLSTATES MGT PARTNERS SOLUTION

NUBAN Number: 0022156995

Sort code: 221150522

Without prejudice to the above information, please note that it has been given in strict confidence for the intended purpose and without liability on the part of the bank or any of its employees.

Thank you.

Yours faithfully,

FOR: STANBICIBTC BANK

Agetua Michael
Pg 38 Category B (890)

Adebola Adesoji
Pg 4 Category A (833)

IBTC Place
Walter Carrington Crescent
P O Box 71707 Victoria Island Lagos Nigeria
Telephone +234-1- 2712400. +234-1- 4488900 Facsimile: 234-1- 2806998

Stanbic IBTC Bank PLC RC 125097

Directors: Sim Tahabalala* (Chairman) Demola Sogunle (Chief Executive) Wole Adeniyi (Executive) Babatunde Macaulay (Executive) M O. Adedoyin A. Gain** Z. Manyahi* Y. Sanni
*South African **South African / British

RC 1396654



CORPORATE AFFAIRS COMMISSION
FEDERAL REPUBLIC OF NIGERIA

Certificate of Incorporation

I hereby certify that

ALLSTATES MGT PARTNERS SOLUTIONS LTD

*is this day incorporated under the COMPANIES AND ALLIED
MATTERS ACT 1990 and that the Company is Limited By Shares.*

Given under my hand at Abuja this 9th day of March, 2017.



A handwritten signature in black ink, appearing to be "Bello Mahmud", written over a horizontal line.

BELLO MAHMUD
Registrar - General

0979562



FEDERAL REPUBLIC OF NIGERIA
PERMIT TO OPERATE AS AN OIL INDUSTRY SERVICE COMPANY

MAJOR CATEGORY

SPECIALIZED CATEGORY

PERMIT NO: DPR/OGISP/17/7893682/N111504

This Permit is hereby granted to

ALL STATES MANAGEMENT PARTNERS SOLUTNS

LIMITED.

of 131 B Ahmadu Bello Way

Victoria Island, Lagos, Nigeria

to render the service to the Oil Industry in the Category listed hereunder:
HAULAGE SERVICES

- GOODS/MATERIALS ROAD HAULAGE
- PETROLEUM PRODUCTS HAULAGE

This Permit expires on the Tuesday, October 16, 2018

Fee Paid: ₦ 25,000.00

Dated 16th day of October 20 17

Director of Petroleum Resources

This permit does not cover "Supply of Expatriate Manpower" in any guise



No. 00000454728

NIGERIA SOCIAL INSURANCE TRUST FUND
ECS CLEARANCE CERTIFICATE

ORIGINAL

Employer Registration No. **1808000618**

This is to Certify that

ALLSTATES MGT PARTNERS SOLUTIONS LTD

1396654

RC No

Has complied with the provisions of the Employees' Compensation ACT 2010 (ECA 2010)

The details of compliance are as follows:

Description	Year <u>N/A</u>	Year <u>N/A</u>	Year <u>2025</u>
Number of Employees	N/A	N/A	3
ECS Contribution Level	N/A	N/A	PAID

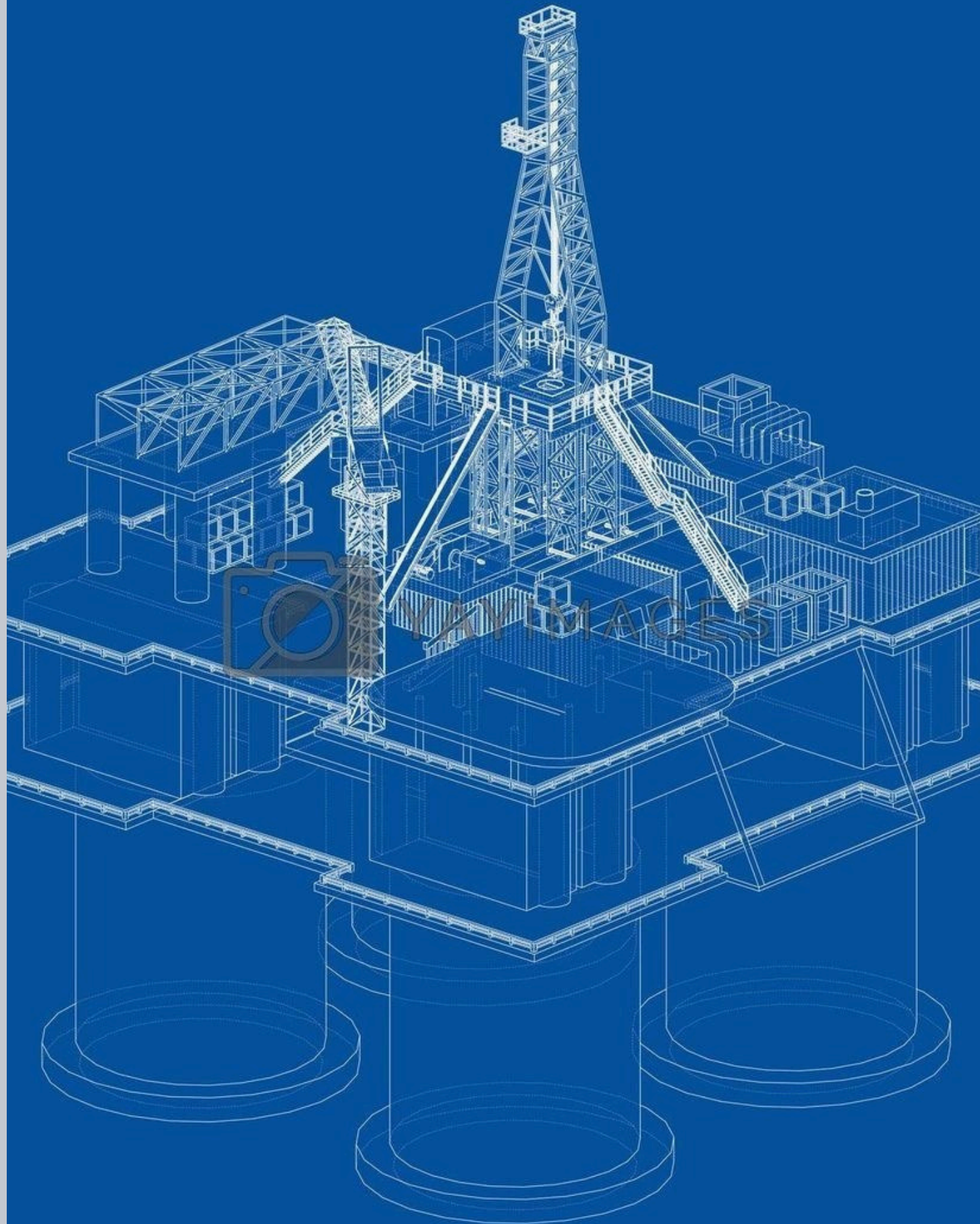
This certificate expires on 31st December, 2025



02 SEP, 2025


Approved Signature

REGULATORY FRAMEWORK & CONTROL

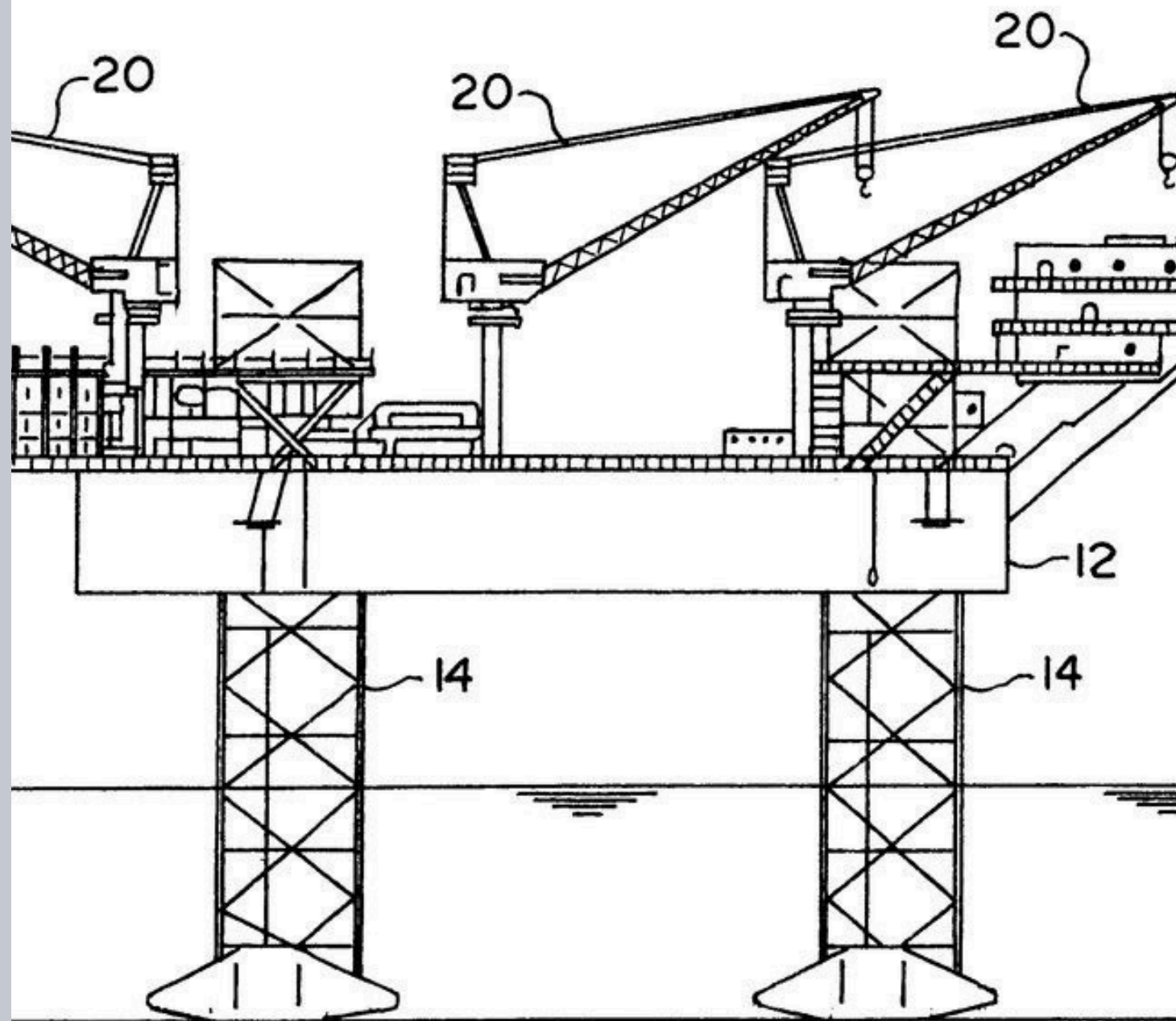


In line with the FDP, the Company ensures compliance with:

- Petroleum Industry Act (PIA)
- NUPRC upstream development guidelines
- Environmental, HSE, and host community regulations
- Nigerian Gas Flare Commercialisation Programme (NGFCP)

Nigerian Content Development requirements
A structured regulatory compliance register is maintained to track all statutory obligations and approval timelines.

PERMITTING, REPORTING & REGULATORY INTERFACE



The Company has the systems and competence to secure and manage:

- FDP approval and amendments
- Drilling and well operation permits
- Environmental Impact Assessment (EIA) approvals
- Facility construction and commissioning approvals
- Gas utilization, reinjection, and flare permits
- Modular refinery-related regulatory approvals (where applicable)

Regular and accurate submission of:

- Production and operational reports
- Royalty and fiscal returns
- Environmental and emissions reports
- Host Community Development Trust reports

GOVERNANCE & ASSURANCE

- Dedicated regulatory and compliance leadership
- Periodic internal audits and management reviews
- Continuous engagement with NUPRC and relevant authorities
- Alignment of operational practices with regulatory expectations and FDP commitments



CONTACT

EMAIL

allstatemanagementpartners@gmail.com

ADDRESS

Block V, Plot 2, Land Bridge Road, Off
Abiola Abiodun, Oniru Road, Lagos.

PHONE

+2348034370820
+2347032460010

WEBSITE

www.allstatesenergy.com

